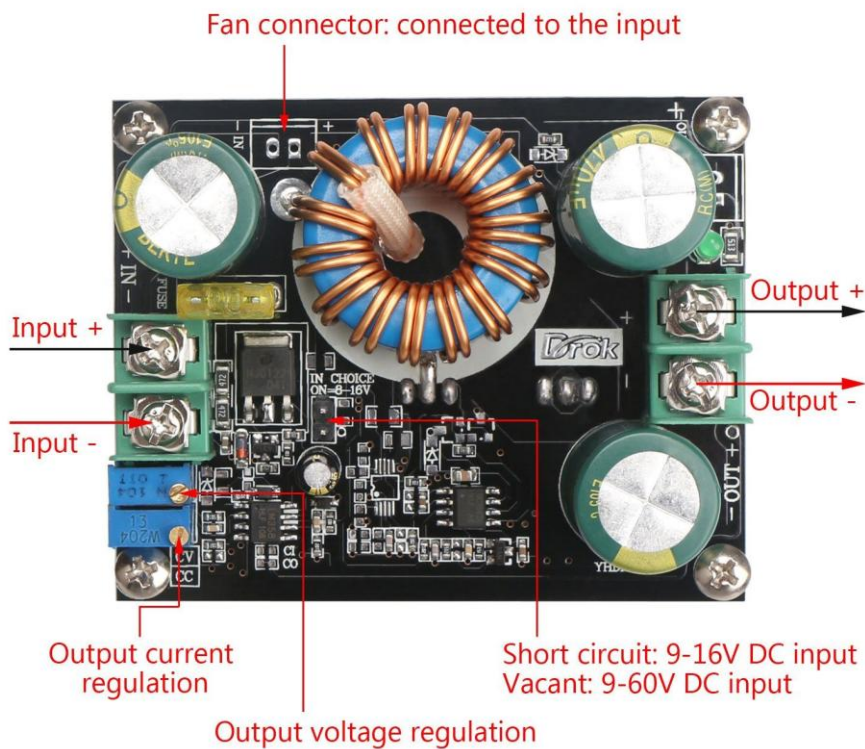


DROK 12-60V to 12-80V DC Boost Voltage Converter

(090089)



Parameters:

Two input voltage ranges : It is decided by jumper.

Input voltage1: 12-60VDC (default range, for wide input voltage range applications)

Input voltage 2: 9-16VDC (for 3 lithium battery and 12V battery) ,

Input Current: 16A MAX. (over 10A, please enhance heat dissipation, such as 5cm cooling fan)

Quiescent Current: 15mA (when 12V step up to 20V), if the output voltage is higher, the quiescent current will increase.)

Output Voltage : 12-80VDC (continuously adjustable), default output: 19VDC

Output Current: 12A Max. (over 10A, please enhance heat dissipation.), the greater the voltage difference between input and output, the smaller the output current

Constant current range :0.1-12A

Output power: = Input voltage * 10A, such as: input 60V * 10A = 600W, if need more output

power, such as need the output to 15A, two modules can be used in parallel, the current of each module can be adjusted to 8A.

Conversion efficiency: Up to 95%

Operating Frequency: 150KHz

Operating temperature: -40 to +85 °c (if the ambient temperature is too high, please enhance heat dissipation)

Overcurrent protection: Yes (if the input exceeds 17A, automatically reduces the output voltage)

Short-circuit protection: Yes (20A input fuse, double short-circuit protection.)

Output feeding back protection: Yes (Diode is not required when charging)

Input Reverse Polarity Protection: No (If need please install diode at the input port)

Installation: two 3mm screws